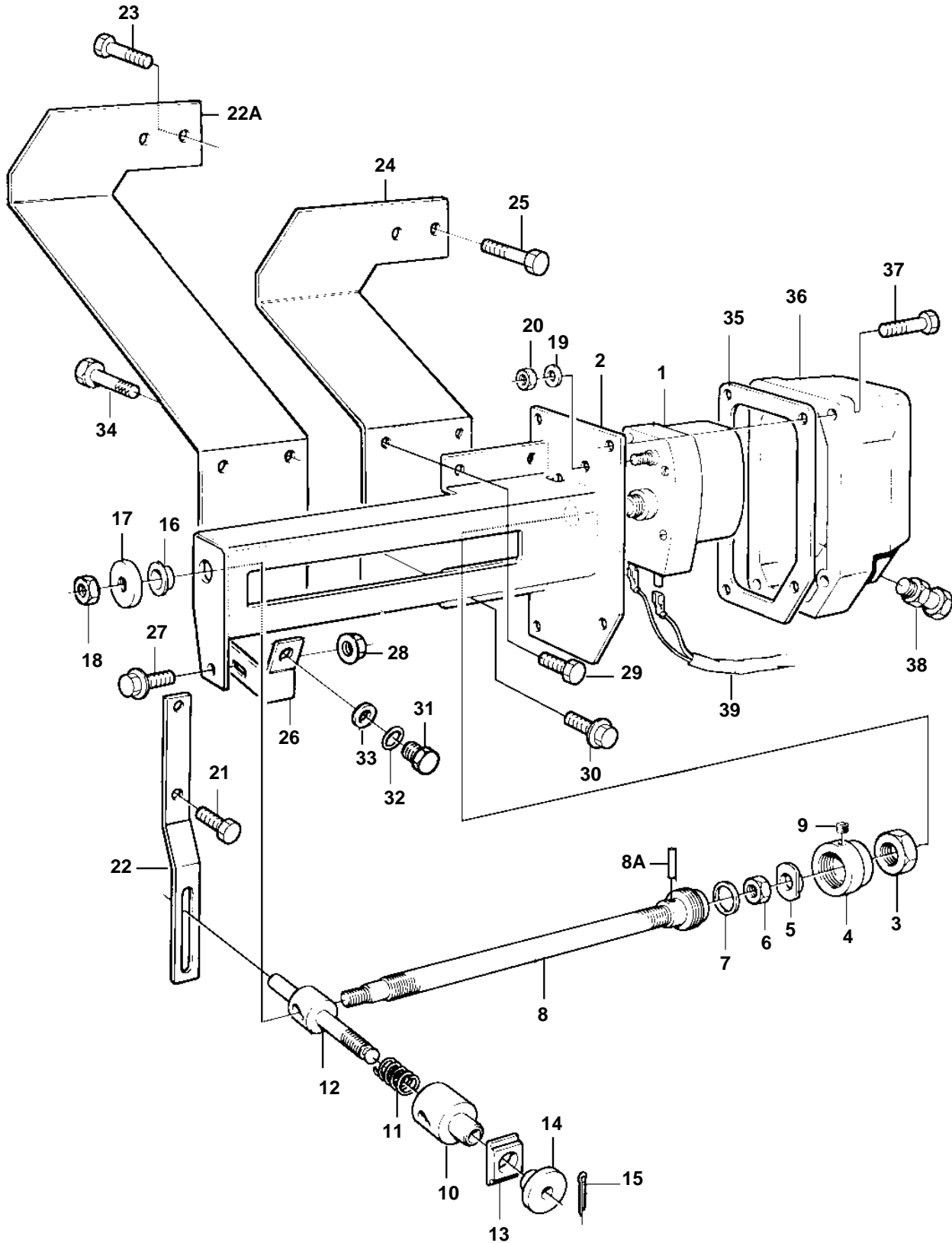


TID162AG, TID162AGP



17505

TID162AG, TID162AGP

REF	PART NO.	QTY	DESCRIPTION	SEE SEC.	NOTES
1	843794	1	Control motor		
2	843795	1	Retainer		
3	843796	1	Nut		
4	843797	1	Nut		
5	843798	1	Companion flange		
6	955781	1	Nut		
7	949938	1	Spring washer		
8	843799	1	Adjuster screw		
8A	951926	1	· Spring pin		
9	945647	1	Screw		
10	843802	1	Sleeve		
11	813945	1	Spring		
12	843803	1	Companion flange		
13	843804	1	Guide		
14	843805	1	Control button		
15	907824	1	Cotter pin		
16	843806	1	Bushing		
17	843805	1	Control button		
18	955781	1	Nut		
19	940090	1	Washer		
20	955780	1	Nut		
21	967949	2	Screw		(965175)
22	862269	1	Lever		
22A	862267	1	Bracket		
23	967949	2	Screw		(965175)
24	862268	1	Bracket		
25	967949	2	Screw		(965175)
26	862283	1	Attaching plate		
27	946544	1	Flange screw		
28	945407	1	Flange nut		
29	967949	2	Screw		(965175)
30	946544	2	Flange screw		
31	862671	1	Plug		
32		1	Gasket		
33	955894	1	Washer		
34	947107	1	Flange screw		
35	843890	1	Gasket		
36	843889	1	Cover		
37	955271	4	Screw		
38	881191	1	Cable union		
39		X	Cable trunk		
				1963	